

**TECHNICAL DATA**
**XMTY1413AD**

REQUESTED DATA		
Cooling capacity	kW	41,3
Air flow rate	m³/h	0
Static pressure	Pa	50
Temperature air inlet	°C	24,0
Relative humidity	%	50,0
Condensing temperature	°C	48,0
Fluid		

**OFFER DATA (SELECTION)**
**COOLING**

Cooling capacity total / sensible	kW	42,1/37,1
Total power input (2)	kW	11,4
Absorbed current	A	38,0
EER	-	3,69

**ELECTRIC HEATING**

Stages	n°	2,00
Capacity per stage	kW	6/3
Current consumption per stage	A	8,7/4,6

**COMPRESSORS - Scroll**

Quantity	n°	1
Circuits number	n°	1
Capacity Steps	n°	1

**REFRIGERANT**

Refrigerant		R410A
-------------	--	-------

**FANS**

Quantity	n°	3
Air flow rate	m³/h	10206
Static pressure	Pa	50,0
Nom power cons. single fan	kW	0,50
Nom. current cons. single fan	A	6,80

**STEAM HUMIDIFIER**

Capacity	kg/h	5,00
Max power consumption	kW	3,60
Max current consumption	A	5,50

**FILTER SECTION**

Efficiency	Eff.	EU4
Quantity	n°	6,00

**ELECTRICAL DATA**

Electrical supply	V/f/Hz	400/3+N/50
Max current consumption	A	51,3
Max LRC	A	160

**NOISE PRESSURE DATA**

Sound Pressure Level (1) (2)	dB(A)	61,8
Distance	m	2

**DIMENSIONS AND WEIGHTS**

Length	mm	850
Widht	mm	1825
Height	mm	1950
Weight	kg	530

**NOTES**

(1) side of the compressor in free field

(2) Compressors + fans

Technical data shown in this booklet are not binding. ACM Kälte Klima S.r.l reserves the right to modify data without any prior notice

**A.C.M. Kälte Klima S.r.l.**

**Società con Unico Socio**

Via dell'Industria, 17 - 35020 Arzergrande (PD) Italy

Tel. +39.049.5800981 (r.a.) Fax. +39.049.5800997 www.acmonline.it - info@acmonline.it

Registro Imprese di PD, C.F. e P.I. 03873060283 R.E.A.344088 CCIAA PD – Cap. Sociale € 15.000 i.v.

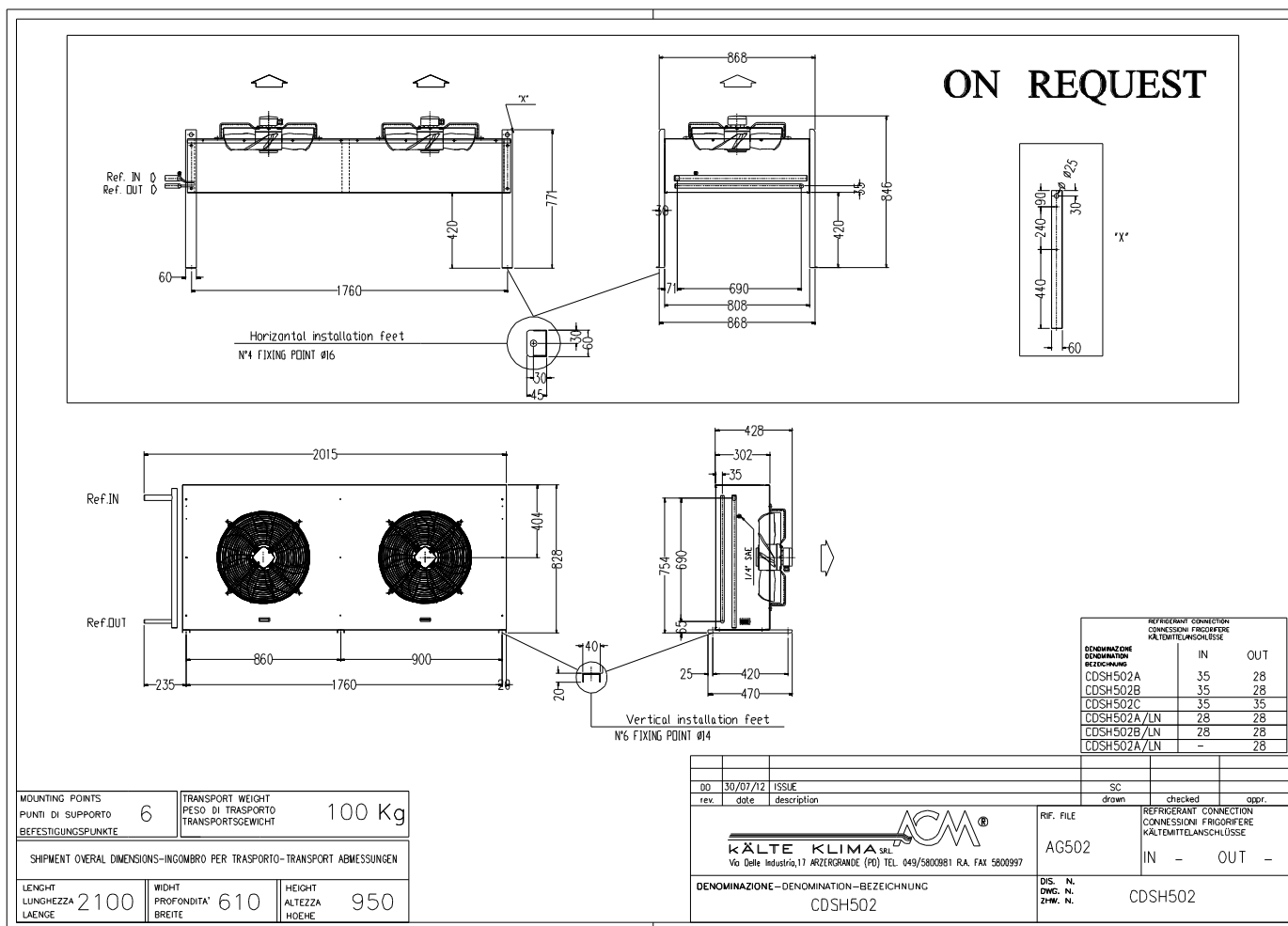
Direzione e Coordinamento di Brenta Rent S.r.l.



### TECHNICAL DATA

### 1xCDSH502B

REQUESTED DATA			ELECTRICAL DATA		
Condensing temperature	°C	48,0	Electrical supply	V/f/Hz	230/1/50
Refrigerant		R410A	Max power consumption	kW	1,36
			Max current consumption	A	7,20
CONDENSING COIL			DIMENSIONS AND WEIGHTS		
Capacity	kW	54,3	Length	mm	2015
Ambient air temperature	°C	33,0	Width	mm	470
Refrigerant charge	kg	3,40	Height	mm	828
			Weight	kg	100
AXIAL FANS			NOISE DATA		
Quantity	n°	2	Sound Pressure Level (1)	dB(A)	47,0
Air flow rate	m³/h	14216	Distance	m	10



### A.C.M. Kälte Klima S.r.l.

### Società con Unico Socio

Via dell'Industria, 17 - 35020 Arzergrande (PD) Italy

Tel. +39.049.5800981 (r.a.) Fax. +39.049.5800997 www.acmonline.it - info@acmonline.it

Registro Imprese di PD, C.F. e P.I. 03873060283 R.E.A.344088 CCIAA PD - Cap. Sociale € 15.000 i.v.

Direzione e Coordinamento di Brenta Rent S.r.l.

