

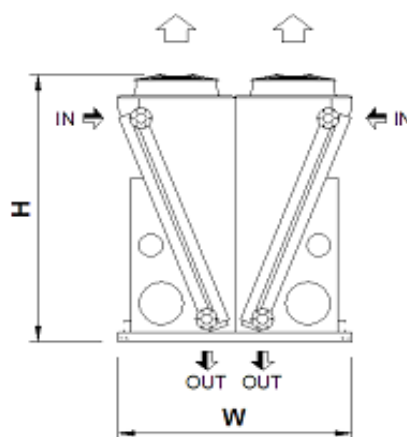
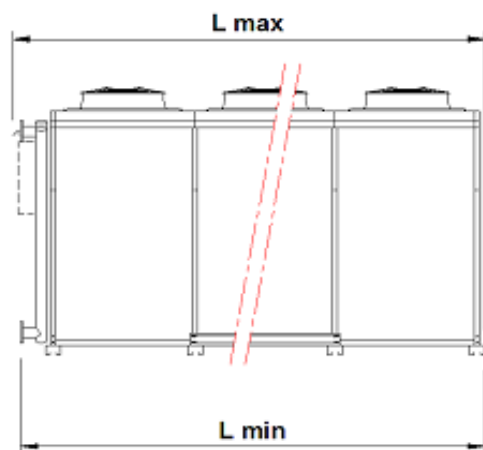
Rel. 6.0

Messrs.: ----
FAO: ----
Offer No.: 225
Position: 1
Project: 8915
Date: 05/09/2012

MODEL **ES4D 2710.5/2**

TECHNICAL DATA SHEET

Capacity *	950,0	[kW]	Reserve	-1,4	[%]
Fluid	Ethylene Glycol 35%				
Fluid in temperature	45,0	[°C]	Flow rate	184,5	[m³/h]
Fluid out temperature	40,0	[°C]	Velocity	1,6	[m/s]
Fluid pressure drops	75,5	[kPa]	Internal volume	673,0	[dm³]
Ambient	35,0	[°C]	Air volume	408.100	[m³/h]
Noise pressure level in free field	74	[dB(A)]	measured at	10	[m]
Noise power level	107	[dB(A)]	Altitude	0	[m]
Fans power input/nominal	14 X 2,2/2,2	[kW]	Absorbed fan current/nominal	14 X 4,2/4,2	[A]
Energy rating	C		Fan speed	670	[rpm]
Surface area	5.387	[m²]	Dry weight	5500	[Kg]



DIMENSIONS	
[mm]	
L min	10.250
W	2.340
W2	
L max	10.315
H	2.870
H2	

Dimensions and weight are not binding